



Meadow Valley

LOG SIDING

LOG MANTEL INSTALLATION

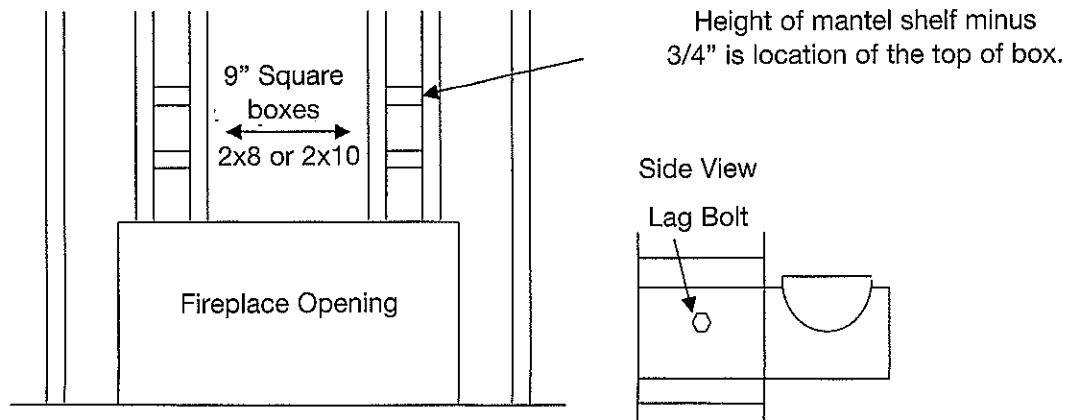
Parts: One six foot long full round log with two saddle notches at opposite ends. This will become the support arms for your mantel. One half log mantel shelf.

You will also need 4 – four inch lag screws, not provided.

Instructions: Determine what you want to be the height of your mantel shelf. Subtract $\frac{3}{4}$ of an inch from that overall height. This will be the location of the top of two boxes you need to construct inside the chimney chase (see sketch). Construct two boxes in the framework of your chimney using 2 x 8 or 2 x 10 lumber that are nine inch square, inside dimension (see sketch). The two boxes should be located in the area you want the support arms of your mantel to protrude away from your fireplace.

Once the 9 inch (inside measurement) square boxes are complete, determine how far out you want the support arms to extend. Don't forget to leave room for any plywood, rock or stone you may be adding. The saddle notch on the arm needs to be located away from any possible contact with stone or rock so your mantel shelf will sit in the support arms. Cut the support arm piece in half or as necessary. Insert the arms into the nine inch boxes with the **saddle notch facing up**. Make sure arms are level and plumb, shim as necessary. Using 4 inch or larger lag screws (not provided), lag into the support arms through the sides of your 9 inch box from both sides. Pre-drilling the holes will avoid splitting the log. Set the half log shelf in place.

Important Notes: Due to a wide variety of construction materials and applications, these installation instructions are meant to serve as a guide. Final results depend on the installer. All log products are air-dried and naturally develop cracks or checks, which are unavoidable and enhance their rustic appeal. This is a raw log product and will require sanding before finishing. When finishing your mantel, use a breathable finish. Avoid sealers like varnish or polyurethane.



For further assistance call 1-800-657-4666 Mon. – Fri: 7:30 am – 4:30 pm.